

The Com-Pak Bath

The premier choice for today's bathrooms



CADET[®]
SAFETY & QUALITY



Features and Benefits

- Ideal for instant warmth in bathrooms
- Primary and Secondary Thermal Safeguards
 - High temperature manual reset
 - Over temperature one-time thermal device
- Durable steel tube and plate constructed heating element - painted to resist rusting
- Convenient built-in controls
 - Single pole thermostat
 - 60 minute timer
- Powder coat paint process eliminates sharp metal edges
- Multi-Volt and Multi-Watt options
- Unique low profile grill only ½" deep

General Information:

The Com-Pak Bath Heater is our most versatile and stylish heater. Equipped with a built-in thermostat and 60-minute timer, it is a great option for adding supplemental heat to any room. The 60-minute auto-timer overrides the thermostat setting for instant warmth and comfort. The Com-Pak Bath Heater is Cadet's first heater with both multi-volt and multi-watt options available. Because the Com-Pak Bath Heater fits into any C-series wall can, it is a great option for replacement, remodel or new construction.

Architectural Information:

Fan forced electric air heaters shall be UL listed, factory rated at 120V/240V or dual field rated from 208V to 240V. The painted wall mounting can is made from 20-gauge sheet metal with six electrical knockouts and a 22 cubic inch wiring compartment. Each heating unit shall be of unitized construction and attach to the wall can with a single screw and shall be self contained and completely separate from the wall mounting can. Elements shall be tube and plate, painted, with an over-sized 25 amp rating at 240V high temperature manual reset limit switch and over-temperature thermal backup. A centrifugal blower shall be driven by an impedance protected motor. The motor shall be totally isolated from the heating element. Metal grill shall be of one piece, 20-gauge construction, and finished with a powder coat paint system.

Carton Details

Heat Assembly Only Carton

DIMENSIONS	11.25"W x 8.5"H x 5.25"D
PALLET QTY.	80
CUBE	.30

Complete Unit Carton

DIMENSIONS	14.25"W x 10.75"H x 5.75"D
PALLET QTY.	88
CUBE	.51



HEATER ASSEMBLY WITH THERMOSTAT AND TIMER



WALL CAN

PHONE 360.693.2505
 FAX 360.694.8668
 WEB www.cadetco.com



Technical Information:

All heaters include a built-in single pole thermostat and 60-minute timer. The Com-Pak Bath Heater is not to be used with a wall thermostat. The multi-volt option must be configured for the correct voltage before installing the heater. The multi-watt option must be configured for the desired wattage before installing the heater. UL requires heater to be placed a minimum distance of 6" from adjacent surfaces and 4.5" from the floor. Manufacturer recommends installation 12" from all surfaces. A 3' minimum clearance is recommended for furniture or other objects placed directly in front of heater.

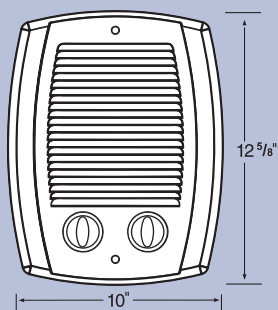
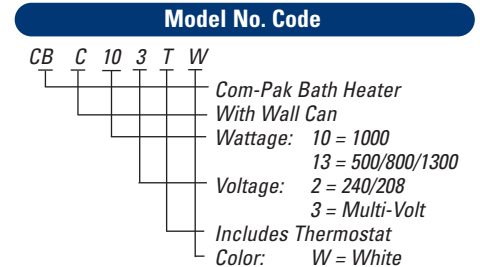
NOTE: Manufacturer recommends installing heater assembly after walls are finished. However, if installation is necessary before walls are finished, use the paint mask provided. Heater must be cleaned every six months minimum.

Ordering Information:

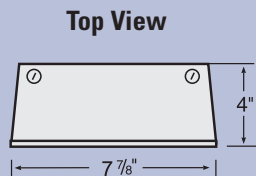
Recommended for elevations under 7500 feet. Available in white only.

UPC Code		WATTS			AMPS			Wt./Lbs	
Part#	Model#	Description	240V	208V	120V	240V	208V	120V	
027418 65101 3	CBC103TW	Complete Unit, Multi-Volt, White	1000		1000	4.16		8.33	8
027418 65103 7	CB103T	Heater Assembly, Stat & Timer, Multi-Volt	1000		1000	4.16		8.33	7
027418 65104 4	CB132T	Heater Assembly, Stat & Timer, Multi-Watt	500/800/1300	375/600/975		2.09/3.33/5.42	1.80/2.89/4.69		7
027418 65105 1	CBC132TW	Complete Unit, Multi-Watt, White	500/800/1300	375/600/975		2.09/3.33/5.42	1.80/2.89/4.69		8

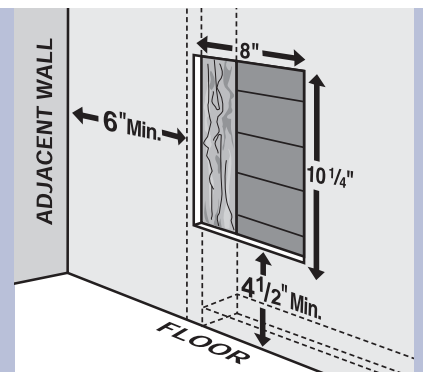
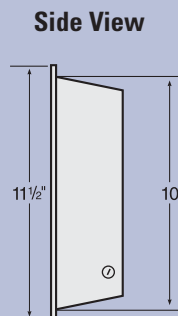
ACCESSORIES	UPC Code		Description		Wt./Lbs
	Part#	Model#			
	027418 65110 5	CBGW	Grill, White w/ Parts		1.5
	027418 65150 1	CBGW5	Grill, Five Pack w/ Parts		7
	027418 67060 1	CC10	C Wall Can Ten Pack		24
	027418 67061 8	CC	C Wall Can Single Pack		2.5



Grill Dimensions:
 10"W x 12^{5/8}"H x 1/2"D



Wall Can Dimensions:
 7^{7/8}"W x 11^{1/2}"H x 4"D



Rough-in Dimensions:
 8"W x 10^{1/4}"H x 4"D